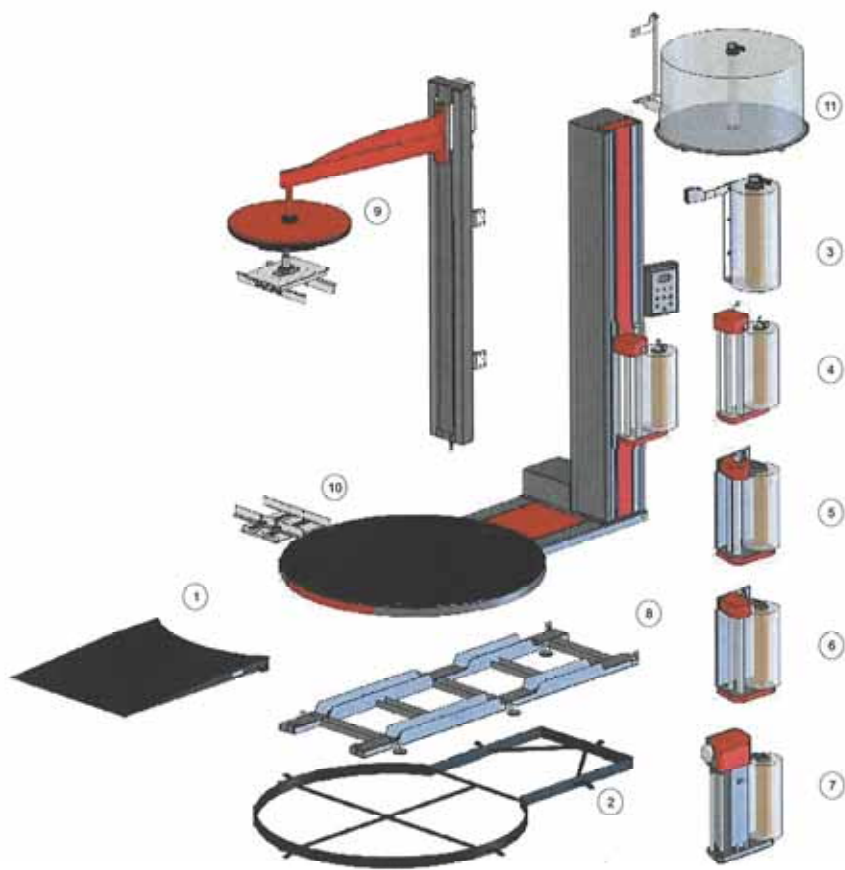


# BEX200 Pallet Wrapper Spec Sheet.



- 1 Access ramp
- 2 Floor embedding frame
- 3 Direct film brake
- 4 Mechanical film brake (standard)
- 5 Mechanical film brake plus
- 6 Electromagnetic film brake
- 7 Powered film pre-stretch
- 8 Weighing cells with display
- 9 Powered top platen
- 10 Flat load holder
- 11 Twin reel holder

